


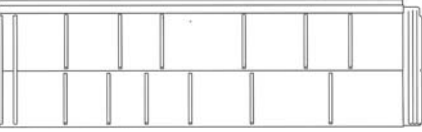
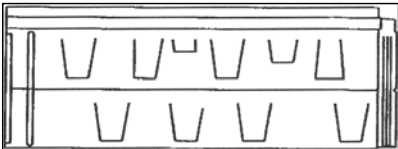
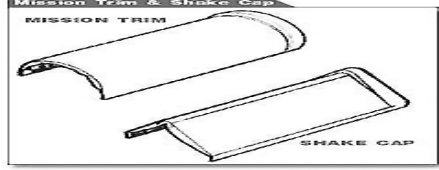

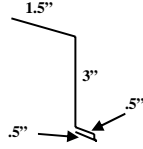
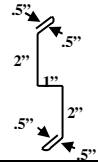


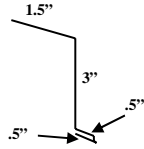
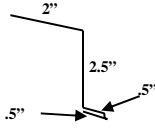
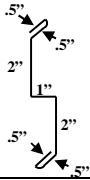
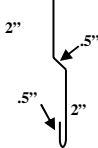
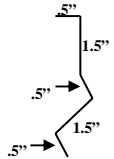
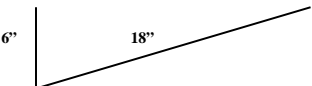
**STONE-COATED MATERIALS**

Item	Dimension	Model #: C=COLOUR
<p><b>Gerard Tile</b></p> <p>GERARD TILE PANEL</p> 	<p>45" x 15.2" 4.425 Sq Ft</p>	<p>G-TILE-SC-C</p>
<p><b>Gerard Shake</b></p> <p>GERARD SHAKE PANEL</p> 	<p>44" x 15.2" 4.310 Sq Ft</p>	<p>G-SHAKE-SC-C</p>
<p><b>Gerard Shake (Canyon Profile)</b></p> 	<p>45" x 16.0" 4.098 Sq Ft</p>	<p>G-CANY-SC-C</p>
<p><b>Guardian Shingle</b></p> 	<p>46" x 15.6" 4.167 Sq Ft</p>	<p>G-GS-SC-C</p>
<p><b>Granite Ridge Shingle</b></p> 	<p>46.1" x 15.6" 4.167 Sq Ft</p>	<p>G-GR-SC-C</p>
<p><b>Support Pannels (Tile and Shake)</b></p>		<p>Call for Prices</p>

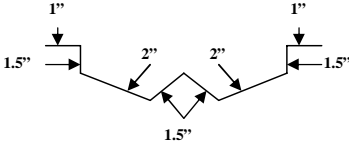
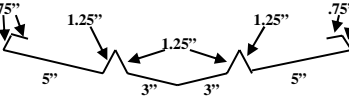
**STONE-COATED MATERIALS**

Item	Dimension	Model #: C=COLOUR
<b>Tile/Shake Cap</b> 	15.3" x 6.0"	G-CAP-TILE-SC-C G-CAP-SHAKE-SC-C
<b>Guardian Shingle Hip/Ridge Cap</b> <b>Granite Ridge Hip/Ridge Cap</b> 	15.6" x 9.125"	G-CAP-GS-SC-C G-CAP-GR-SC-C
<b>Trimless Rake Metal</b> 	3" x 10'	G-TRM-SC-C
<b>Z-Bar</b> 	3" x 10'	G-ZBAR-SC-C
<b>Trim End Discs</b>	6"	G-TED-SC-C
<b>Flatstock</b>	16-1/4" x 10'	G-FLAT-SC-C
<b>Stone Chips</b>	1Lb	G-CHIP-SC-C

**26g COLOURED MATERIAL**

Item	Dimension	Model #: C=COLOUR
<b>Trimless Rake Metal</b> 	2" x 10'	G-TRIM-C
<b>Drip Edge 2-1/2"</b> 	2-1/2" x 10'	G-DRIP2-C
<b>Z-Bar</b> 	4" x 10'	G-ZBAR-C
<b>Sidewall &amp; Front Wall</b> 	4" x 10'	G-WALL-C
<b>Rake Metal</b> 	3" x 10'	G-RAKE-C
<b>Backpan</b> 	6" x 18": \$/Ln Ft	G-BPAN-C
<b>Flatstock</b>	\$/Inch x 10'	G-FLAT-C
<b>Screws - Shank Slot (no washers)</b>	#10 x 1 1/2"	G-SS-X-C
<b>Screws - Master Gripper (no washers)</b>	#10 x 1-1/2"	G-MG-1.5-C
<b>Screws - Master Gripper (no washers)</b>	#10 x 2"	G-MG-2.0-C

**26g COLOURED MATERIAL**

Item	Dimension	Model #: C=COLOUR
<p><b>Valley 6"</b></p> 	6" x 10'	G-VAL6
<p><b>Valley 18"</b></p> 	18" x 10'	G-VAL18
<b>INSTALLATION TOOLS</b>		
Installation Kit (includes all items listed below)	G-IKIT	
Cutter	G-CUT	
Top Bender Attachment	G-TBEND	
Bottom Bender Attachment	G-BBEND	
Batten Spacers/pair	G-BATT	